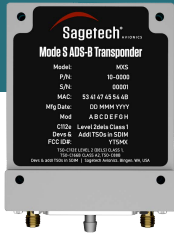


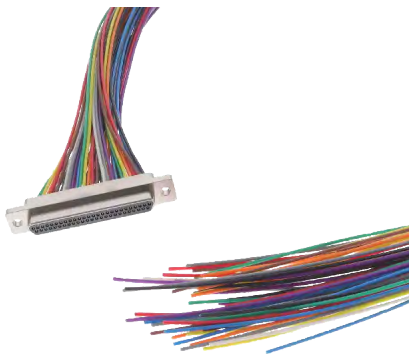
Our aircraft accessories provide simple, convenient kits and solutions to enable easy MXS benchtop configuration and aircraft integration.



### MXS 51-PIN CONNECTOR WITH 18 INCH FLYING LEADS

PRODUCT NUMBER: 10-1529

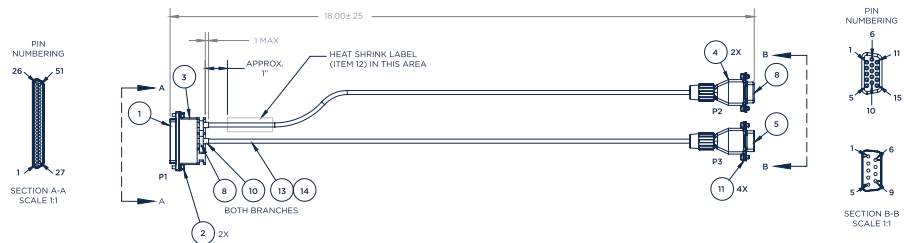
A 51-pin interface connector to MXS and MX12B transponders, with flying lead pigtails to integrate the MX transponder into an aircraft wiring harness.



### MXS GENERIC CABLE

PRODUCT NUMBER: 11-0382

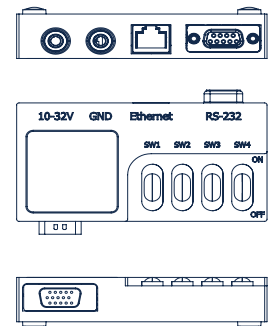
The MXS Generic Cable enables easy connection between the MXS transponder, the "MXS Cable Interface Box" and TSO-C199 certified Trig TN72 GPS.



### MXS CABLE INTERFACE BOX

PRODUCT NUMBER: 11-0423

The MXS Cable Interface Box breaks-out signals for easy connection to power, serial, ethernet, and switches for discrete inputs.



### CABLE KIT

PRODUCT NUMBER: 99-1234

The Cable Kit includes cable interface box and generic test cable.

#### Kit Contents

- 1ea. [11-0423] MXS Cable Interface Box
- 1ea. [11-0382] MXS Interface Cable

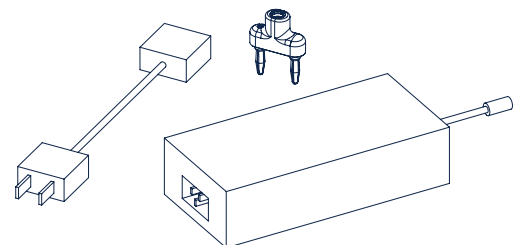
### DC POWER SUPPLY KIT

PRODUCT NUMBER: 11-0246

Power supply for your MXS test box that eliminates the need for bulky DC power supply and interfaces directly with the MXS Test Box or standalone.

#### Kit Contents

- 1ea. [11-0251] Barrel jack to banana plug adapter
- 1ea. [50-000228] AC Power adapter cable
- 1ea. [50-000227] AC Adapter, 90-264 VAC to 24VDC, 60W

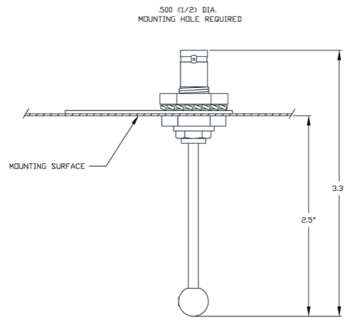


## MONOPOLE

### ANTENNA

PRODUCT NUMBER:  
50-000571 - FAA TSO  
C74c

PRODUCT NUMBER:  
10-0395 -  
NON-CERTIFIED  
Transponder antenna



### BLADE ANTENNA

PRODUCT NUMBER:  
50-000174

ANT-BLADE RAMI AV-74 broadband  
blade type antenna for transponder.



### MX MOUNTING HARDWARE KIT

PRODUCT NUMBER: 11-0245

Hardware kit to facilitate mounting of transponder.

Product Number	Description	Qty.
50-000292	Screw, Machine, BTN, Phillips, .112(#4) - 40, 1.375", SS	2
50-000293	Screw, Machine, BTN, Phillips, .112(#4) - 40, 1.125", SS	2
50-000294	Washer, Flat, .115 ID, 209 OD, .015 - .018 Thick, SS, NAS620...	4
50-000295	Nut, Nylon Locking, .112(#4) - 40, SS	4
50-000296	Epoxy, 2.8 KSI, Slow Set, 1 OZ Single Use Packet W/ Mixing S...	1
50-000297	Isopropyl Alcohol Wipe. Single Use Pack	1
50-000298	Sanding Pad, 400 Grit, 2" X2"	1
50-000299	Thermal Pad. Graphite. 13 W/m-K. 70MM X 70 MM X.5MM Adh...	1
50-000300	Nutplate, Minature Fold Over, .112 (#4)-40, Locking, Primed	4

## MX AIRCRAFT INTEGRATION KIT

PRODUCT NUMBER: 11-0249

Aircraft integration kit for MX transponder (MXS or MX12B) for single antenna configuration.

Product Number	Description	Qty.
10-1529	CABLE, MICRO-D MALE 51PIN 2ROW TO FLYINGLEAD PIGTAIL, 18"	1
50-000185	TERMINATOR PLUG, SMA, 50 OHM	1
50-000231	CABLE, COAXIAL RG316, SMA-M RA TO BNC-M, 24IN	1
10-0395	ANTENNA, MONOPOLE, 1030 - 1090 MHZ, BNC	1
11-0245	MX MOUNTING HARDWARE KIT	1

### MXS BENCHTOP TEST BOX INTEGRATION KIT

PRODUCT NUMBER: 11-0248

Kit of accessories to facilitate plug-and-play benchtop evaluation of an MX transponder with the cable interface box. These accessories complement part number 11-0423 Cable Interface Box, and other benchtop test boxes.

Product Number	Description	Qty.
50-000183	CABLE ASSEMBLY, RG55B/U, SMA-M TO SMA-M, 12"	1
50-000232	RF TERMINATION, 50 OHM, 10W, SMA M	1
50-000185	TERMINATOR PLUG, SMA, 50OHM	1
50-000223	CABLE, USB 3.2, A MALE TO C MALE, 3FT, REVERSIBLE, SHIELDED	1
50-000224	CABLE, ETHERNET, M-M, CAT6, 10FT	1
50-000225	CABLE, BANANA, M-M, 36IN, RED	1
50-000226	CABLE, BANANA, M-M, 36IN, BLACK	1

